



GeBE-MULDE Mini

GPT-4352(-60)

TECHNICAL INFORMATION



Highlights at first sight:

- extremely compact front panel thermal printer for paper width of 56 mm
- suitable for paper roll diameter 31 mm or 60 mm
- ideal for protocol, receipt and label printing
- easy paper handling through Easy Loading Technology
- customized versions for medium quantities, e.g. operation foil or housing color
- high-speed printing up to 90 mm/s (with system C32)

The GeBE-MULDE Mini

The front panel thermal printer GeBE-MULDE Mini GPT-4352(-60) adapts to diverse preconditions and integration situations. Two different controller concepts are available (A8 and C32). The version with C32 controller additionally offers a test-button for further functions. The space-saving printer is compatible to PCL3 graphics and offers a variety of communication interfaces. A wide range of available layout commands and several character sizes allow attractive ticket design.

The paper roll of \varnothing 31 mm (1.22 inch) serves 11 m (12.03 yd) printouts, the \varnothing 60 mm (2.36 inch) paper roll stores approximately 43 m (47.03 yd) length – the quadruple amount. The GeBE-MULDE Mini GPT-4352-60 also prints on self-adhesive labels. Using the right paper, the printer can be operated in a temperature range of -20°C to +60°C (-4°F to 140 °F).

Typical application

- Protocol printing, e.g. in machines, for measurement technical targets or documentation
- Receipt printing e.g. at POS or in accounting systems at hotel receptions

Drivers

The printer controller GCT-439x (A8) and GCT-4361x (C32) will be supported by following drivers:

Windows[®] CE 5.0, 6.0, 7.0 and Windows[®] XP, 7, 8, 8.1, 10

Unix via Cups for Linux and Mac OS

Accessory

Article number	Article description	GPT-4352	GPT-4352-60
Cable			
12872	Data round cable USB 2.0, 5 pin, Molex to USB A, length 2,000 mm (78.74 inch)	x	x
11352	Data round cable RS232, 5 pin, JST SHR to Sub-D, length 1,000 mm (39.37 inch)	x	x
11387	Data cable RS232, 5 pin, JST SHR - one side open, length 500 mm (19.69 inch)	x	x
12451	Power supply cable 6-pin for 10 – 36 VDC connection, length 250 mm (9.84 inch)	x	x
11353	Power supply cable 7-pin for 4.5 – 8.5 VDC connection, length 250 mm (9.84 inch)	x	x
Power supply			
13695	Power supply 24VDC / 3A with Schuko plug and power supply cable	x	x
13696	Power supply 5VDC / 5A with Schuko plug and power supply cable	x	x
12618	DC/DC 10 - 36VDC coverter implemented for GPT-4352, alternatively use for little mounting depth	x	
Spare parts			
12774	Cover and lever anthracite	x	
12893	Cover and lever anthracite		x
11892	Exchange printer mechanism including platen	x	x
12116	Exchange platen	x	x
Options			
11414	Mounting frame for GPT-4352 in DIN housing 96x96 mm (3.78x3.78 inch)	x	
11415	Mounting frame for GPT-4352 in 3HE 19" rack with fastening screws	x	
12610	Mounting frame for GPT-4352-60 in 3HE 19" rack with fastening screws		x
12561	Interface converter ethernet to V.24, 8 - 36 VDC power supply, on request	x	x

Article number	Article description	GPT-4352	GPT-4352-60
Paper			
11347	7 years paper, roll ø 31 mm (1.22 inch), core inside ø 7 mm (0.28 inch), width: 56.5 ±0.5 mm (2.22 ±0.02 inch), paper thickness: approx. 60 µm (2.17 mil), outside coated, bisphenol-free and phenol-free, running length: approx. 10 m (10.94 yd)	x	
13855	10 years paper, roll ø 31.5 mm (1.24 inch), coreless, width: 56.5 ±0.5 mm (2.22 ±.02 inch), paper thickness: approx. 55 µm (2.17 mil), outside coated, bisphenol-free and phenol-free, running length: approx. 13.5 m (14.76 yd)	x	
12033	25 years paper, roll ø 31 mm (1.22 inch), core inside ø 7 mm (0.28 inch), width: 56.5 ±0.5 mm (2.22 ± 0.02 inch), paper thickness: approx. 60 µm (2.36 mil), outside coated, bisphenol-free and phenol-free, running length: approx. 10 m (10.94 yd)	x	
12428	12 years endless labels, roll ø 31 mm (1.22 inch), core inside ø 12 mm (0.47 inch), width: 56.5 ±0.5 mm (2.22 ±0.02 inch), paper thickness: approx. 128 µm (5.04 mil), outside coated, running length: 4.3 m (4.70 yd)	x	
12410	7 years paper, roll ø 60 mm (2.36 inch), core inside ø 7 mm (0.28 inch), width: 56.5 ±0.5 mm (2.22 ±0.02 inch), paper thickness: approx. 60 µm (2.36 mil), outside coated, running length: 45 m (49.21 yd)		x
12983	25 years paper, roll ø 60 mm (2.36 inch), core inside ø 12 mm (0.47 inch), width: 56.5 ±0.5 mm (2.22 ±0.02 inch), paper thickness: approx. 60 µm (2.36 mil), outside coated, running length: 40 m (43.74 yd)		x
13377	12 years single labels, roll ø 60 mm (2.36 inch), size: 52.5x50.8 ±0.5 mm (2.07x2.00 ±0.02 inch), approx. 335 units, width: 57.3 ±0.5 mm (2.26 ± 0.02 inch), paper thickness: 128 µm (5.04 mil), outside coated		x
Customising			
13015	Customer specific foil	x	x
13667	Housing in special colour RAL	x	
13668	Housing in special colour RAL		x

Technical drawings

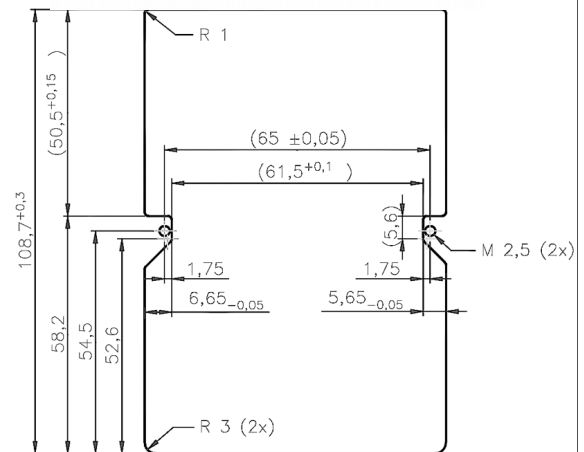
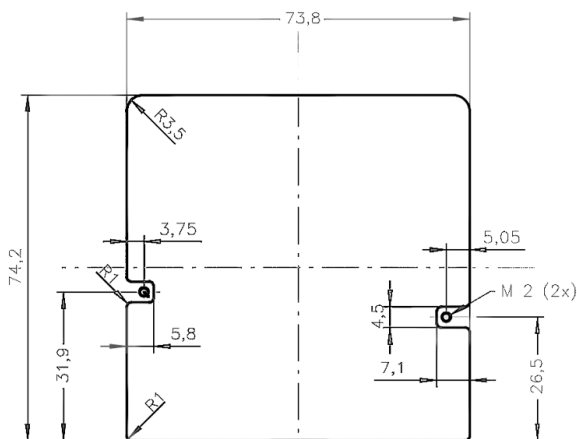
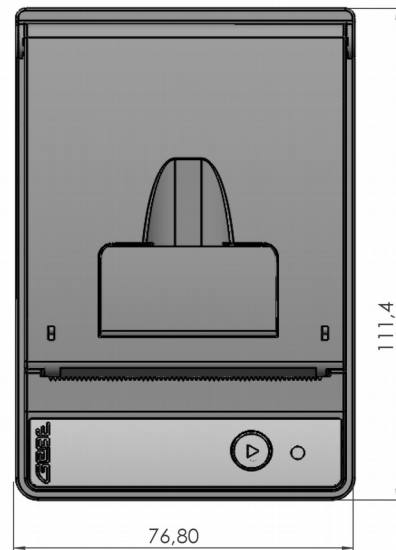
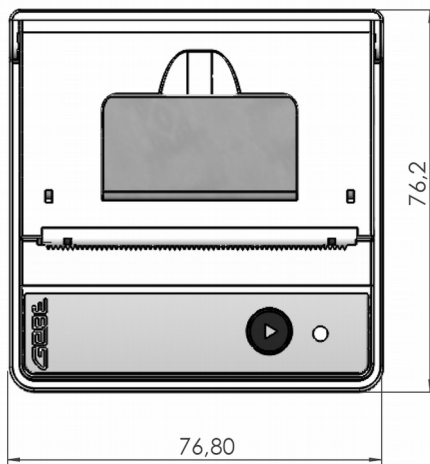
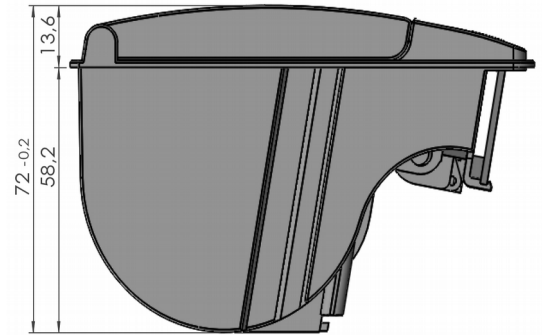
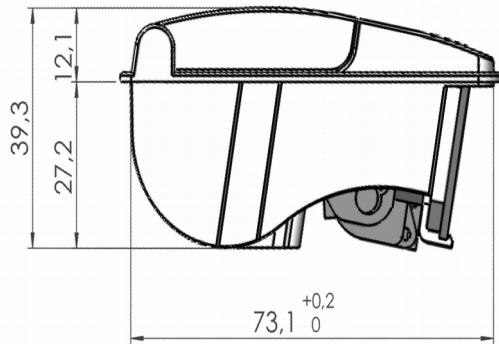


Figure 1: Dimensions GeBE-MULDE Mini GPT-4352
(max. ø 31 mm paper roll) in mm

Figure 2: Dimensions GeBE-MULDE Mini GPT-4352-60
(max. ø 60 mm paper roll) in mm

Technical data details

	GPT-4352-31 C32	GPT-4352-60 C32	GPT-4352-31 A8	GPT-4352-60 A8
Insert paper	easy paper loading			
Print procedure	thermal direct print			
Resolution	8 dots/mm (203dpi), 384 dots/line			
Print speed	max. 90 mm/s (3.54 inch/s)		max. 50 mm/s (1.97 inch/s)	
Paper width	56.5 ±0.5 mm (2.22 ±0.02 inch)			
Print width	48 mm (1.89 inch)			
Paper thickness	50 – 70 µm (1.97 – 2.76 mil) or GeBE thin labels			
Paper length	approx. 11 m (12.03 yd)	approx. 43 m (47.03 yd)	approx. 11 m (12.03 yd)	approx. 43 m (47.03 yd)
Paper roll diameter	max. 31 mm (1.22 inch)	max. 60 mm (2.36 inch)	max. 31 mm (1.22 inch)	max. 60 mm (2.36 inch)
Supply voltage	4.5 – 8.5 VDC or 10 – 36 VDC with DC/DC converter			
Current consumption print	adjustable via command: approx. 0.7 – 6.0 A (peak)			
Current consumption without print	approx. 60 mA		approx. 45 mA	
Available interfaces	USB and RS232, optional TTL 3.3 V		USB or RS232 or TTL	
Fonts	23 fonts, extendable, UTF-able		IBMII 24, 32, 42, 48, 54 characters/line, extendable	
Barcode	EAN8, EAN13, UPCA, Code39, 2of5int, Code 128, QR Code		EAN13, Code39, 2of5int optional on request: EAN8, Code 128c, PDF417	
MTBF*)	50 km (31 mile)			
Dimensions (W x H x D)	76.8 x 77.4 x 39.3 mm (3.02 x 3.05 x 1.55 inch)	76.8 x 111.4 x 72 mm (3.02 x 4.39 x 2.83 inch)	76.8 x 77.4 x 39.3 mm (3.02 x 3.05 x 1.55 inch)	76.8 x 111.4 x 72 mm (3.02 x 4.39 x 2.83 inch)
Weight incl. paper roll	approx. 150 g	approx. 260 g	approx. 150 g	approx. 260 g
Housing	ABS, similar to RAL 7016	PA6 with 15% glass fiber, similar to RAL 7016	ABS, similar to RAL 7016	PA6 with 15% glass fiber, similar to RAL 7016
Environment**)	-20°C – +60°C (-4°F – +140°F) with specified paper			
Humidity	10 – 90 % rel. humidity, without condensation			
Storage condition	-20°C – +70°C (-4°F – +158°F) at 10 – 90 % rel. humidity, without condensation			

*) Life cycle according to mechanism testing conditions of the manufacturer with specified paper only. Please inquire. The life cycle of the print head is an averaged expectable performance and no guaranteed data. Under optimum conditions, the above listed data can be achieved using specified paper according to our documentation TI-606.

**) In case the print head reaches the maximum ambient temperature, the printer will interrupt operation until cooling down and sends an error message.

The GeBE logo is a registered trademark of GeBE Elektronik und Feinwerktechnik GmbH. All other brands named in this brochure are properties of the respective companies. The technical data given are non-committal information and do not represent any assurance of certain features. Errors and changes reserved. This technical documentation is only valid until release of a revision. Please always request the newest documentation edition.

Our terms of payment and delivery apply.

Copyright © 2018 GeBE Elektronik und Feinwerktechnik GmbH.
All rights reserved.